

8

7

6

5

4

3

2

1

F

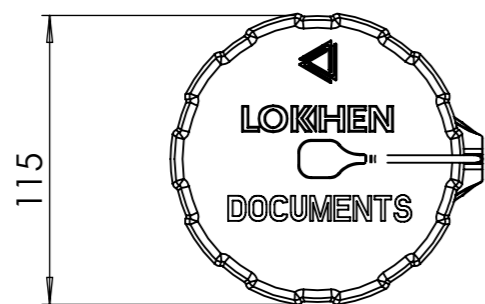
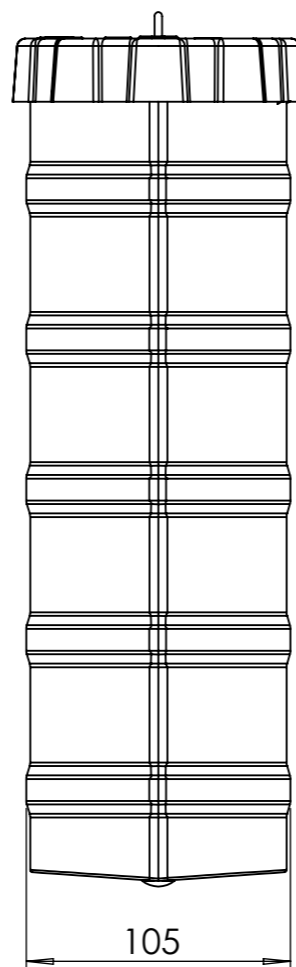
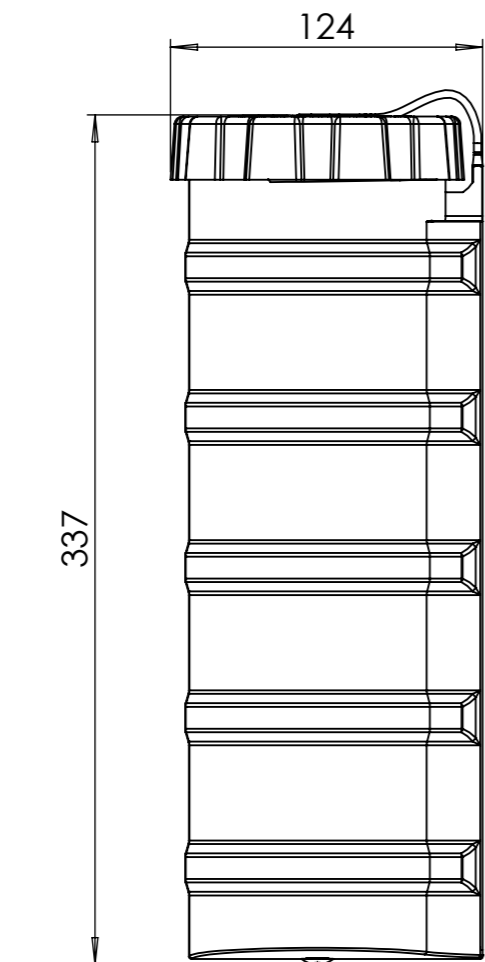
E

D

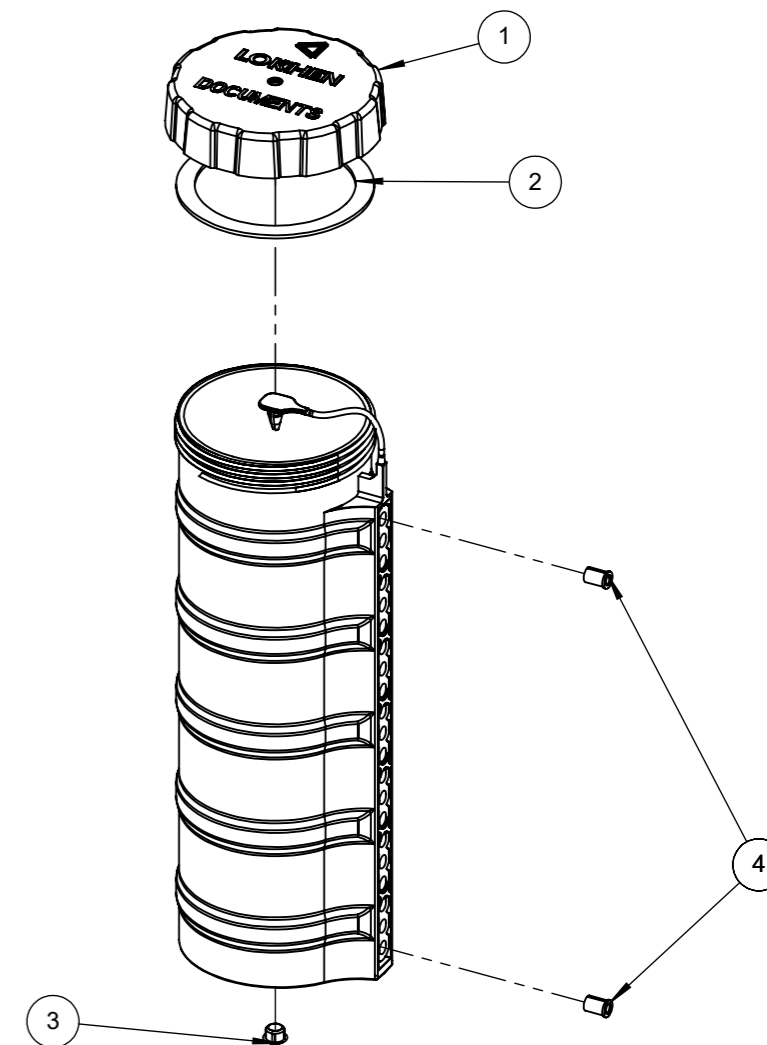
C

B

A



VISTA ESPLOSA



POS.	COD.	MATERIALE	Descrizione	Q.TA'
1	503000102	PP	"ROLL" DOCUMENT COVER	1
2	200200073	EPDM	O-RING Ø mm. 105x85x2 SP. - EPDM	1
3	200200062	PP	KAP 610 B 10.0X 13	1
4	503000103		SACCHETTO 50MICRON COMPLETO DI EXPANSION INSERT	1

Notes			GENERAL TOLERANCES from UNI EN 2768-1					
General geometric tolerances			UNI EN 2768-2 Class L					
Angular dimensions without indication of tolerance			± 2°					
Dimension without indication of tolerance			UNI EN 2768-1 Class v					
Surface without indication of tolerance			Not quoted chamfer					
Not quoted fillet			Unless otherwise specified, remove the sharp edges					
Range of tolerance	Limit of deviation							
	from 0.5 up to 3	from 3 up to 6	from 6 up to 30	from 30 up to 120	from 120 up to 400	from 400 up to 1000	from 1000 up to 2000	from 2000 up to 4000
subtle	±0.05	±0.05	±0.1	±0.15	±0.2	±0.3	±0.5	-
medium	±0.1	±0.1	±0.2	±0.3	±0.5	±0.8	±1.2	±2
approximate	±0.2	±0.3	±0.5	±0.8	±1.2	±2	±3	±4
very approximate	-	±0.5	±1	±1.5	±2.5	±4	±6	±8

REV.	DATE	DESCRIPTION OF REVISION	DRAWN BY	CHECKED BY	APPROVED BY
2	07/12/18	AGGIUNTO CODICE IN DISTINTA 503000103	A.MUSCI	D.BARATTINI	D.LORUSSO
1	12/09/17	SOSTITUTA MATERIA PRIMA 100300001 CON 100300000	D.BARATTINI	D.BARATTINI	D.LORUSSO

N. OF PCS	WEIGHT [KG]	MATERIAL	DIMENSION	COLOUR [RAL]	TREATMENT	COMMERCIAL	NO
6	0.36	PP	124X115X340	BLACK	-	SCALE 1:3	SHEET DIMENSION A3

DESCRIPTION	DATE	SHEET:
DOCUMENT HOLDER "ROLL" *124x115x340	16/05/2017	1 Di 1
PRODUCT CODE 603000100	DRAWN BY Eng. D.Barattini	
	CHECKED BY Eng. D.Barattini	
	APPROVED BY D.Lorusso	

THIS DRAWING IS THE PROPERTY OF LOKHEN SRL. IT SHOULD NOT BE REPRODUCED, PUBLISHED OR DISCLOSED WITHOUT WRITTEN AUTHORIZATION.
THIS DRAWING WAS CREATED WITH CAD ANY CHANGES OR MANUAL CORRECTION ARE PROHIBITED.

8

7

6

5

4

3

2

1

A